

# PD04 BOULEVARD Series

Wide Sash Patio Door



Single Slider (OX/XO)

**SKYREACH**

Skyreach L&S Extrusions Corp.

Better. In so many ways!

*Perfect*  
PATIO DOORS

# Better. In so many ways.

Meticulous design, plus superior features and options, are trademarks of SKYREACH fabricated doors. From carefully engineered security options to structural soundness—the possibilities are endless with a PERFECT® brand Patio Door.

## STANDARD FEATURES

### IG Units

- Standard LoE 180 - Argon
- Also available LoE 366 - Argon

### Rollers

- Stainless Roller - precision bearing, self lubricating



### Jamb Covers



### Handles

- Stylish Valiant handle with multi-point locking system

### Screen Door

- Moose Screen with standard 3" wide sash provides both beauty and strength



## UPGRADES

### Prestige Handle Upgrades



### Mini Blinds

- Mini blinds with Tilt and Lift system.
- Available in 5', 6', 7-1/2', 9', 10' and 12' width doors and 6'8" height.



### Security Locks



### Architectural Accessories

- Matching Transom and Side-Lites available.

### Custom Sizes

- Variety of aesthetically pleasing multi-panel combinations, custom sizes and custom finishes.

### Multiple Panel System

- 3 and 4 panel.

### Complete Accessories

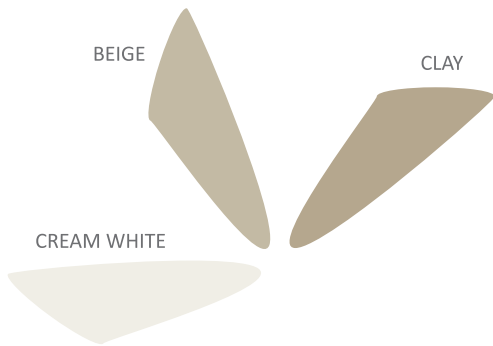
- Jamb extensions (different sizes), casing, brick mould, nailing flange, and various joiners.

### Painted Woodgrain

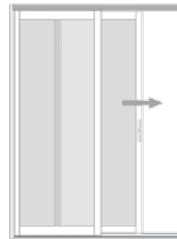
# PD04 Boulevard Wide Sash Patio Door

The high-end, welded wide sash PERFECT® Sliding patio door system combines the aesthetic elements of a French door with the durability and longevity one has come to expect from a door constructed with high quality PVC. It's perfect for new home construction or renovation projects,

## EXTRUDED SOLID COLORS



COLORS SHOWN SHOULD BE USED AS A GENERAL GUIDE.  
PRINTED COLORS ARE NOT AN EXACT MATCH FOR EXTRUDED OR PAINTED VINYL.  
PLEASE TALK TO YOUR DEALER TO LEARN MORE ABOUT AVAILABLE PAINTED COLORS.



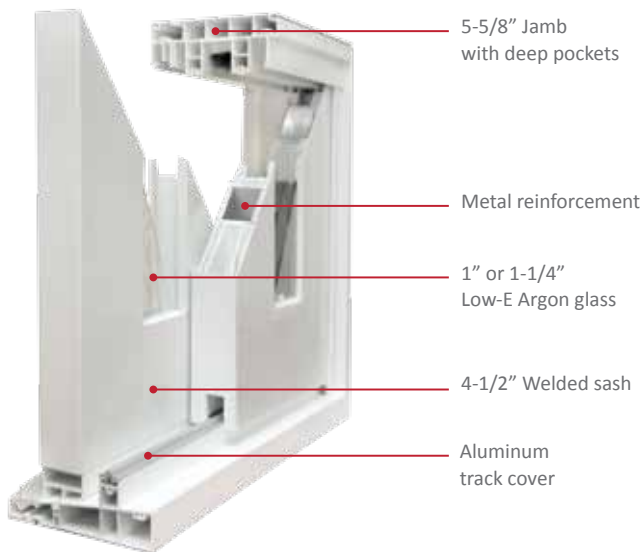
OX/XO

## FEATURES and BENEFITS

- All vinyl, multi-chamber profile design for superior insulating
- 4-1/2" Wide stiles and rails sash.
- Welded sashes with glazing beads.
- Optional interior or exterior glazing system.
- Metal reinforcement on the vertical sash, and optional on the horizontal sash.
- Available in Single Slider (OX/XO).
- Inside- and outside-jamb pocket covers for an elegant look.
- Standard Valiant handles with multipoint locking system.
- Moose Screen with standard 3" wide sash.

## OTHER PERFECT® BENEFITS

- All vinyl frame.
- Full perimeter triple layer weatherstripping for excellent air and water tightness.
- Specially formulated, color-matched sealing material for durability in performance and color retention.
- Corrosion resistant anodized-aluminum tracks for long-lasting and smooth operation.
- Standard sizes available: 5', 6' and 8' width and 6'8" and 8' height.
- Variety of aesthetically-pleasing multi-panel system combinations, custom sizes and custom finishes.



## PRODUCT PERFORMANCE

PD04-6068-OX

Class R-PG30 Type SD (A3)



The company reserves the right to change specifications, alter or improve the design or construction of its products as described herein and to furnish them when so altered without reference to the illustrations or descriptions in this literature.



**SKYREACH**  
Skyreach L&S Extrusions Corp.

**Canadian Headquarters:**  
55 Freshway Dr.  
Vaughan, ON L4K 1S1

Tel: 416-663-1888  
1-866-903-8800  
Fax: 416-663-8899  
1-866-302-8899

**USA Headquarters:**  
9281 Pittsburgh Avenue  
Rancho Cucamonga, CA 91730

Tel: 909-204-3550  
1-844-237-7188  
Fax: 909-204-3580

DEALER

[www.skyreachls.com](http://www.skyreachls.com)